

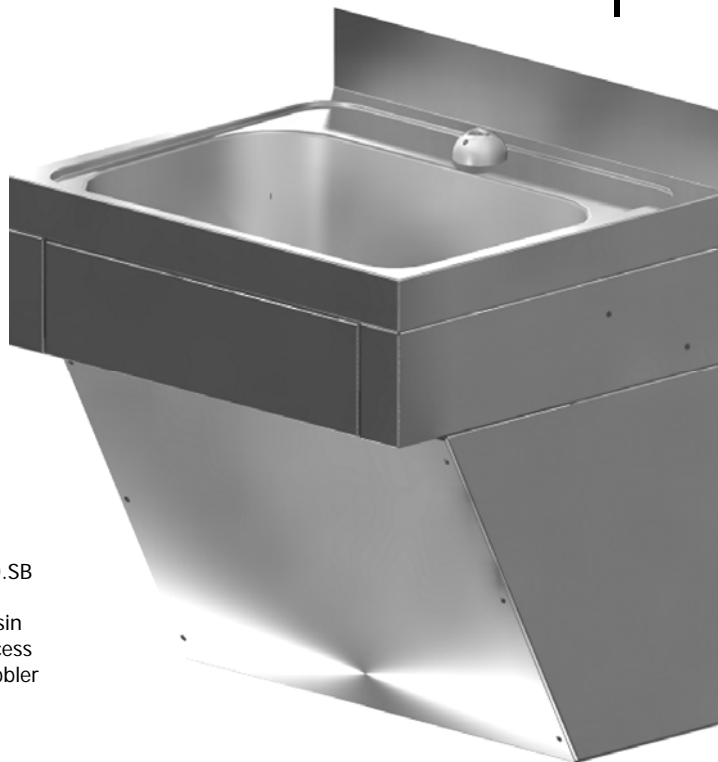
Wash Basin - Knee Operated

With Security Shroud for Disabled Access Public Amenity Blocks

Stoddart Manufacturing designed and introduced the full front knee operated front panel to provide easy access to hygienic hand washing. A simple nudge with either your left or right knee or thigh activates the timed water flow.

The Shroud is designed to allow Disabled Access as defined in AS 1428:2001. This unit, when mounted with basin 800mm above floor is ideal for all public amenities.

Models:	SPPL.WB.KO2.D.300.xx
SPPL	Standard Plumbing Product
WB	(Hand) Wash Basin
KO2	Knee operated front push Hand Wash Basin with shroud to conceal plumbing
D	Designed for Disabled Access
300	300mm stainless steel splashback
xx	Blank = standard with SB SB = Security Bubbler TV = Tempering valve fitted GS = Gooseneck Spout



SPPL WB.KO2.D.SB
Knee operated
Secure Washbasin
for Disabled Access
with Secure Bubbler



Optional Gooseneck Spout
can be fitted on request –
model SPPL WB.KO2.D.GS

Features and Benefits:

- Full front panel "Easy Push" button can be easily activated with either left or right knee for hygienic hands free use.
- Timed flow valve provides effective hand washing and saves water.
- Security Bubbler has WELS six-star rating (2 litres per minute). The security bubbler is preferred by councils for extra vandal resistance in public use areas.
- Optional Gooseneck spout provides aerated water for minimum splash and has WELS three-star rating (7.5 litres per minute).
- Sturdy stainless steel construction ensures life-long service.
- A 300mm stainless steel splashback can be ordered with the unit for easy installation and to comply with plumbing requirements of most authorities and need for tiling.
- Optional tempering valve can be fitted to provide comfort and improved cleaning (valve is supplied loose for plumber to fit when installing basin).
- Easy mount single piece bracket has multiple fixing holes for quick installation by plumber.
- Stainless steel shroud fully encloses plumbing for additional hygiene and security, and prevents unauthorised tampering with plumbing fittings.
- Suitable for use where disabled access is required. Design complies with AS 1428:2001



Due to continuous product research and development, the information contained herein is subject to change without notification.



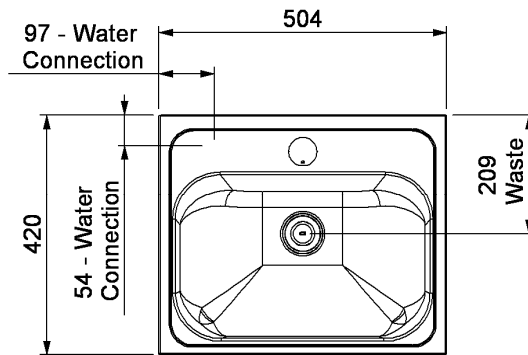
Wash Basin - Knee Operated

With Security Shroud for Disabled Access Public Amenity Blocks

Specifications:
Construction: 304 grade stainless steel polished to No 4 satin finish.
Knee operated timed flow valve
Waste Connection: 40mm.
Water Supply: Single 15mm (1/2" BSP)
Unit is fitted either with a secure bubbler or optional gooseneck spout.
Unit Fixing: The unit is supplied with wall mounting bracket with 10 mm fixing holes.
Disabled Fixing Height: Recommended fixing height from top of unit to finished floor level is 800mm

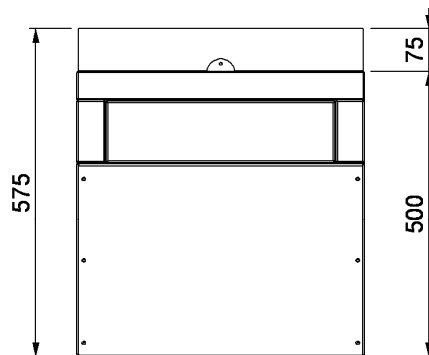
Models: **SPPL.WB.KO2.D.300.xx**
SPPL Standard Plumbing Product
WB (Hand) Wash Basin
KO2 Knee operated front push Hand Wash Basin with shroud to conceal plumbing
D Designed for Disabled Access
300 300mm stainless steel splashback
xx Blank = standard with SB
TV = Tempering valve fitted
SB = Security Bubbler
GS = Gooseneck Spout

SPPL WB.KO2.D.SB
Knee operated
Secure Washbasin
for Disabled Access
with Secure Bubbler

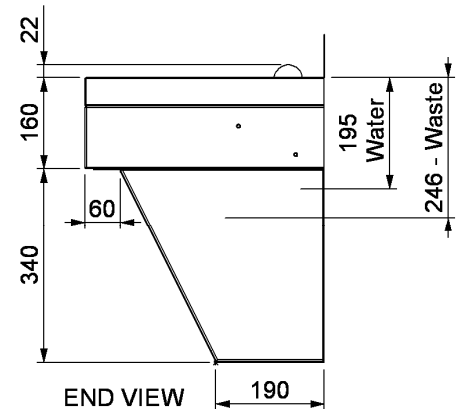


PLAN VIEW

SPPL WB.KO2.D series
provides unobstructed space
for Disabled Access.

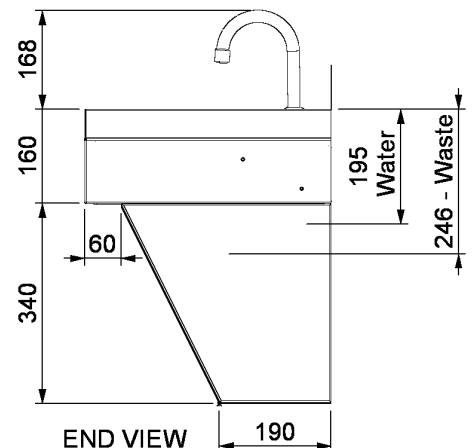
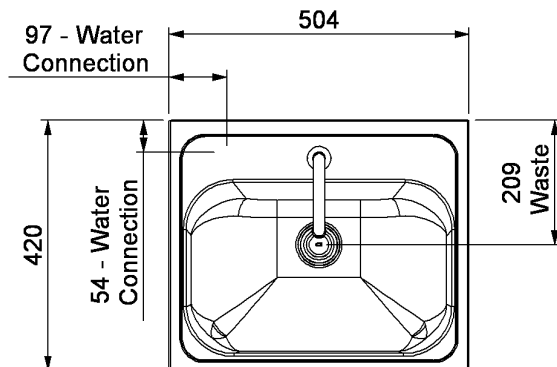


FRONT VIEW

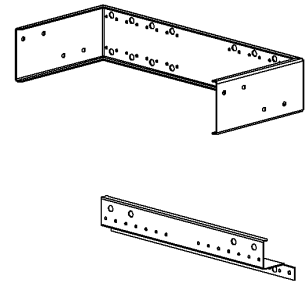


END VIEW

Option with Gooseneck :
SPPL WB.KO2.D.GS



END VIEW



WALL BRACKETS

Due to continuous product research and development, the information contained herein is subject to change without notification.