



Hand Wash Basin

Stoddart Manufacturing designed and introduced the easy mount single piece bracket to make Stoddart basins 1st choice for strength and 1st choice for easy installation.

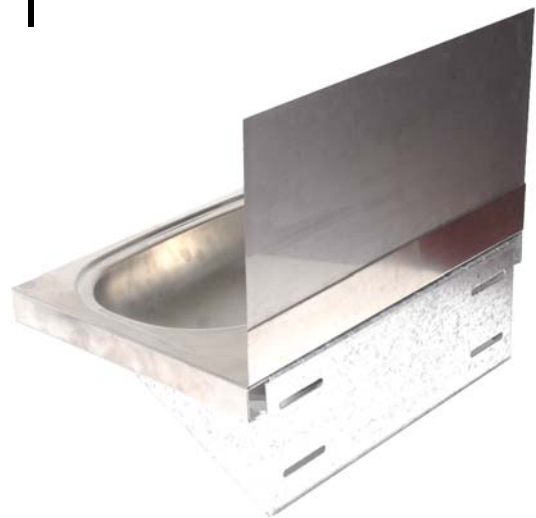
The standard unit comes with a 300mm stainless steel splashback to comply with the health and plumbing requirements of most authorities.

Stoddart Manufacturing uses a large, deep drawn recessed bowl to reduce splashing and spillage. The bowl has a sizable front fascia to provide better aesthetics and rigidity.

Models:	SPPL.WB.H1.300.xx
SPPL	Standard Plumbing Product
WB	(Hand) Wash Basin
H1	Assembly unit complete with plug & waste and easy-mount bracket
300	300mm stainless steel splashback
xx	SS = stainless steel mounting bracket TV = Tempering valve GT = Galvin easy push tap



300mm splashback complies with health requirements of most authorities



Easy mount single piece bracket is available in gal or stainless with multiple fixing holes pre-punched

Large front fascia for better aesthetics and strength

Features and Benefits:

- Large and deep bowl with recessed inner bowl to minimise splashing.
- Sturdy stainless steel construction for life-long service in public amenities & schools.
- The standard unit comes with a 300mm stainless steel splash-back to comply with plumbing requirements of most authorities
- Easy mount single piece bracket has multiple fixing holes for quick installation by plumber.
- Large, deep bowl provides extra capacity.
- Standard bracket is standard in Galvanised steel.
- Optional stainless steel bracket can be ordered for Kitchens.
- Optional Galvin easy-push, timed flow button tap (GE-CP # 368696) can be ordered with unit
- Optional Tempering valve can be ordered with unit
- Suitable for use where disabled access is required.
- This is our approved design for use in Government schools.



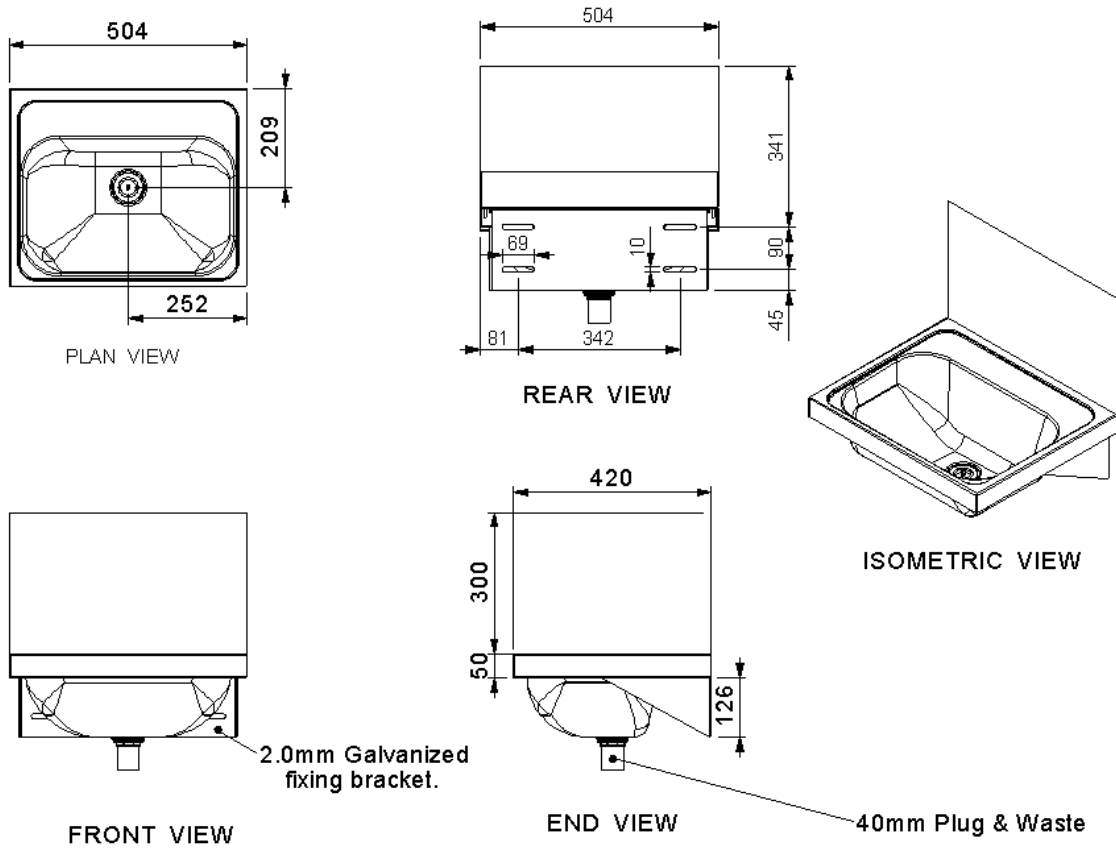
Due to continuous product research and development, the information contained herein is subject to change without notification.



Hand Wash Basin

Specifications:
Construction: Fully welded seamless construction, polished to No 4 brushed finish.
 Stainless steel 304 grade.
Waste Connection: 40mm. plastic plug and waste supplied
Unit Fixing: The unit is supplied with 1.6mm stainless steel wall mounting bracket with 10 mm fixing holes.
Disabled Fixing Height Recommended fixing height from top of unit to finished floor level is 780mm to 800mm.

Models: **SPPL.WB.H1.300.xx**
 SPPL Standard Plumbing Product
 WB (Hand) Wash Basin
 H1 Assembly unit complete with plug & waste and easy-mount bracket
 300 300mm stainless steel splashback
 xx SS = stainless steel mounting bracket
 TV = Tempering valve
 GT = Galvin easy push tap



Due to continuous product research and development, the information contained herein is subject to change without notification.