



Cleaner's Sink

The Stainless Steel Cleaners Sink from Stoddart Manufacturing is the safe cleaning solution for all commercial buildings.

It has a unique easy mount bracket to secure the unit to most walls without need for unsightly legs and keeps the floor area clear for better housekeeping & safety.

The bowl comes complete with 90mm basket waste for catching solids and a strong bucket grate for supporting mop buckets.

The standard unit comes with a 450mm stainless steel splashback to comply with the health and plumbing requirements of most authorities.

**Models: SPPL.CS.01.450
SPPL.CS.02.450**

SPPL	Standard Plumbing Product
CS	Cleaner's Sink
01	with easy-mount wall mounting bracket plus additional front legs.
02	with easy-mount wall mounting bracket.
450	450mm stainless steel splashback

All units are complete with bucket grate and 90mm basket waste.



Unique strong, easy mount bracket allows quick, secure fixing to most walls without need for unsightly legs to keep floor area clear, clean and safe.

Features and Benefits:

Great looking, 450mm high stainless steel splashback protects the wall and meets regulation requirements without need for tiling

New easy-mount bracket for quick, secure mounting onto most walls to save valuable labour time.

(An optional 304 grade stainless steel bracket can be ordered extra).

(Optional legs can be ordered if unit is to be mounted to non-structural walls)

Welded steel grate has 6 bars for stable support of buckets while filling and draining

The highly polished, large 44 litre capacity bowl that is 235mm deep to reduce splashing.

Strong, safe hinges allow grate to be lifted for access to bowl

Sound suppression pad under base of bowl reduces unnecessary noise

Bowl has rolled edges for operator and installer safety

90mm waste comes with a waste basket for catching solids



Due to continuous product research and development, the information contained herein is subject to change without notification.



Cleaner's Sink

Specifications

Construction: Bowl - stainless steel 304 grade polished finish.

Basin Outlet: 90mm threaded basin connection supplied with sink has a basket waste.

Unit Fixing: **Recommended fixing height is 500mm – 700mm from floor to top of bowl**

The unit is easily fixed to the wall with heavy duty, easy mount bracket eliminating the need for ugly front legs that obstruct cleaning.

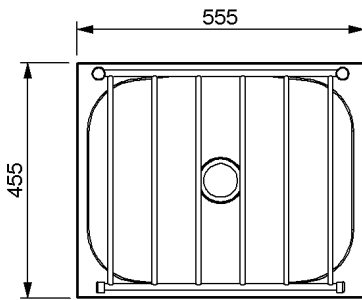
Front legs can be added if wall is not structurally sound.

The splash back is fixed to the wall with commercial grade double sided tape.

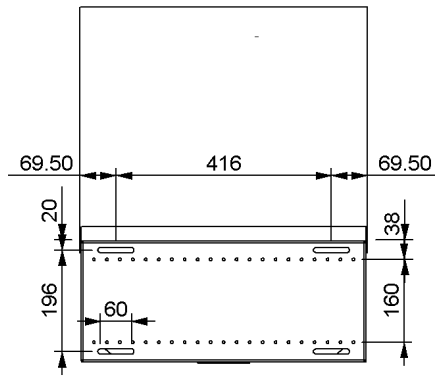
**Models: SPPL.CS.01.450
SPPL.CS.02.450**

SPPL	Standard Plumbing Product
CS	Cleaner's Sink
01	with easy-mount wall mounting bracket plus additional front legs.
02	with easy-mount wall mounting bracket.
450	450mm stainless steel splashback

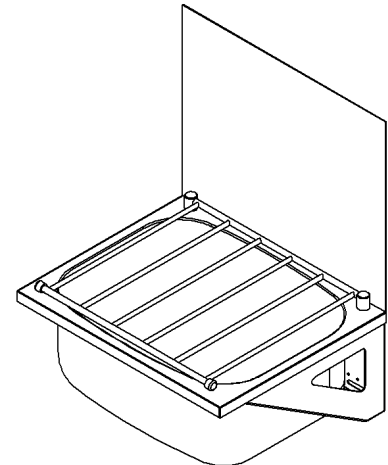
All units are complete with bucket grate and 90mm basket waste.



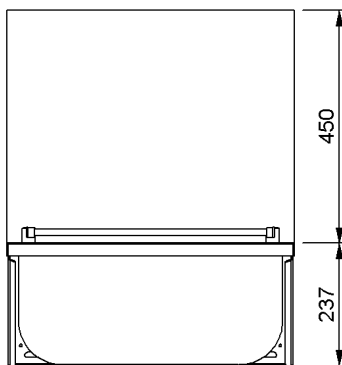
PLAN VIEW



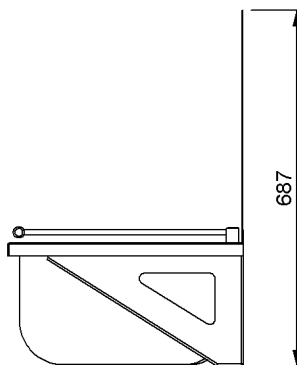
REAR VIEW



ISOMETRIC VIEW

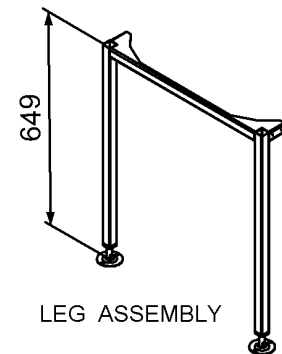


FRONT VIEW



SIDE VIEW

Optional leg assembly is included in product code SPPL.CS.01.450



LEG ASSEMBLY

Due to continuous product research and development, the information contained herein is subject to change without notification.