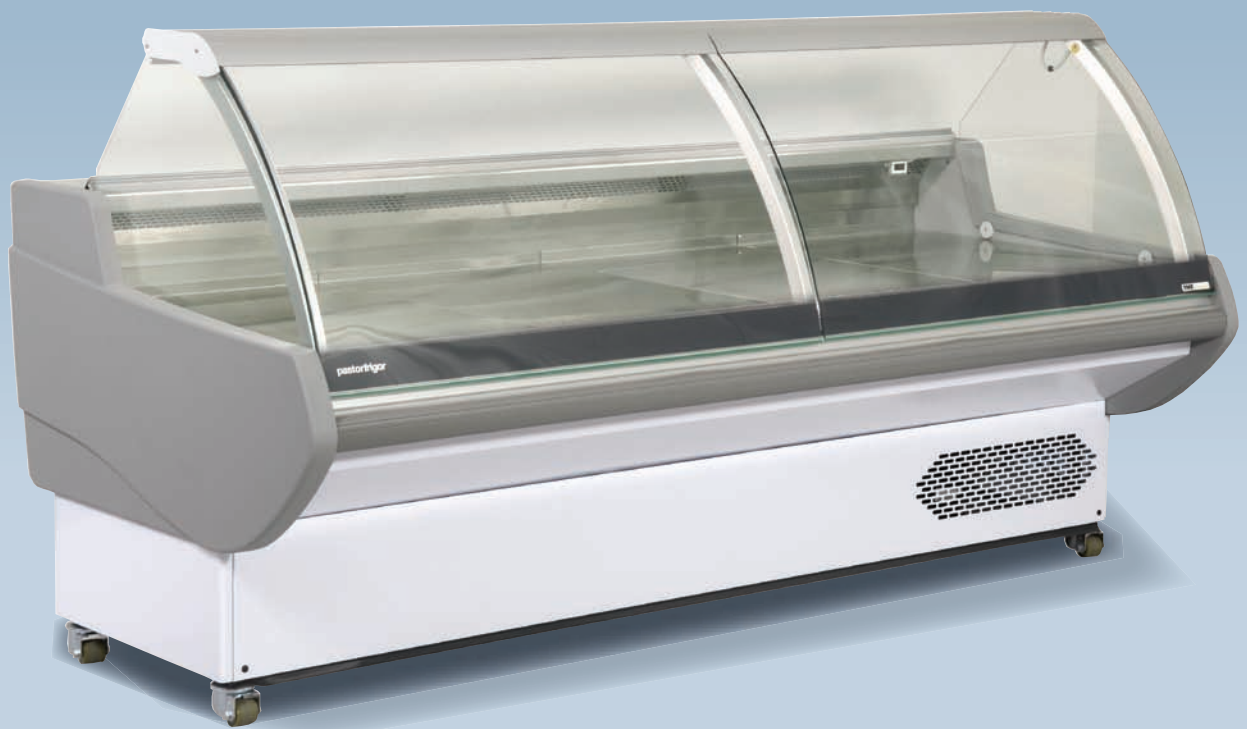


# PORTOFINO DELI DISPLAY

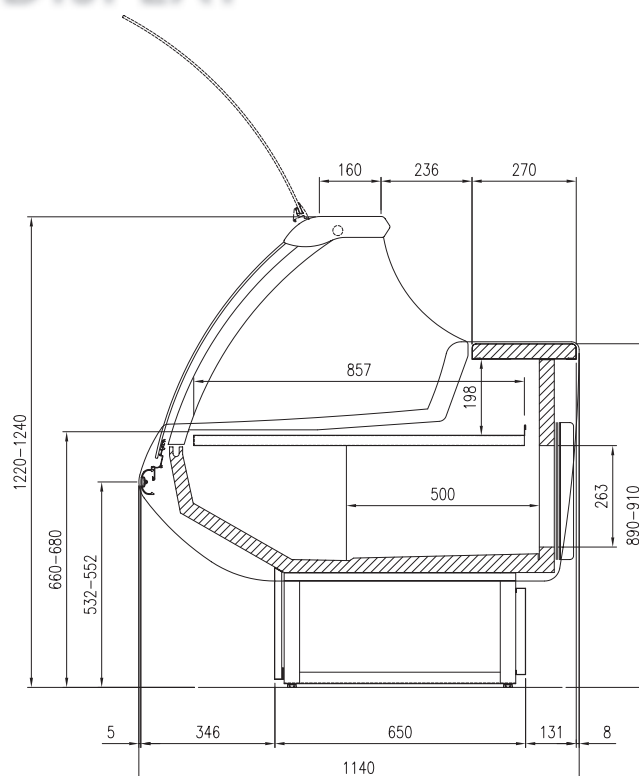
-1°C +2°C



# PORTOFINO DELI DISPLAY

**-1°C +2°C**

- Temperature Range -1 to +2°C
- Deep 860mm stainless steel display plate
- Lift up toughened safety glass, heated
- Extra wide condenser for improved cooling efficiency
- Quiet running
- Bright internal Grolux lighting (product colour enhancement)
- Fully front mounted: no rear supports
- Adjustable fan speed
- Refrigerated storage
- Rear slides
- Castors
- Power outlet requirement: 10 amp
- Matching Patisserie and Hot models available



Section

Model	Portofino 120	Portofino 200	Portofino 250	Portofino 300	Portofino 360
Operating Temp (°C)	-1 to +2	-1 to +2	-1 to +2	-1 to +2	-1 to +2
Rating (°C / %Humidity)	25 / 60	25 / 60	25 / 60	25 / 60	25 / 60
Weight (kg)	173	235	283	328	390
Overall Length (mm)	1290	1885	2480	3075	3670
Overall Depth (mm)	1155	1155	1155	1155	1155
Overall Height (mm)	1240	1240	1240	1240	1240

Model	Portofino 90° Int. Corner	Portofino 90° Ext. Corner	Portofino 135° Ext. Corner
Operating Temp (°C)	-1 to +2	-1 to +2	-1 to +2
Rating (°C / %Humidity)	25 / 60	25 / 60	25 / 60
Weight (kg)	173	173	235
Overall Length (mm)	1290	1290	1885
Overall Depth (mm)	1155	1155	1155
Overall Height (mm)	1240	1240	1240