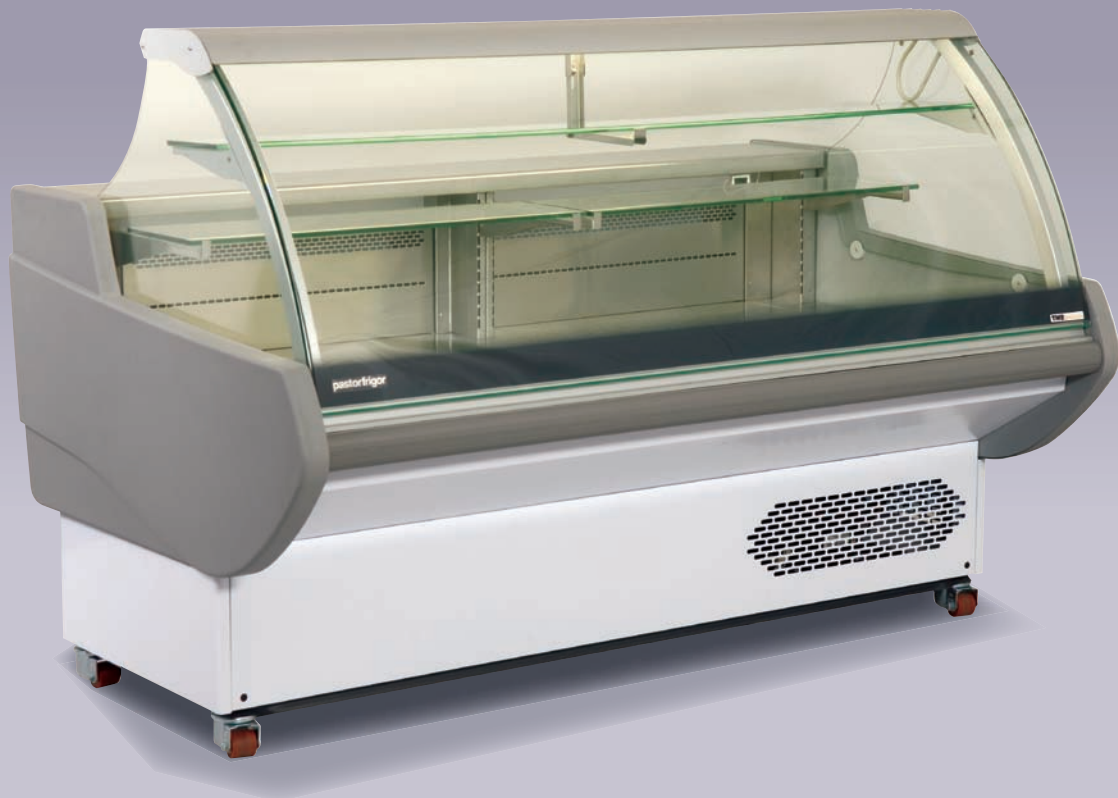


PORTOFINO PATISSERIE DISPLAY

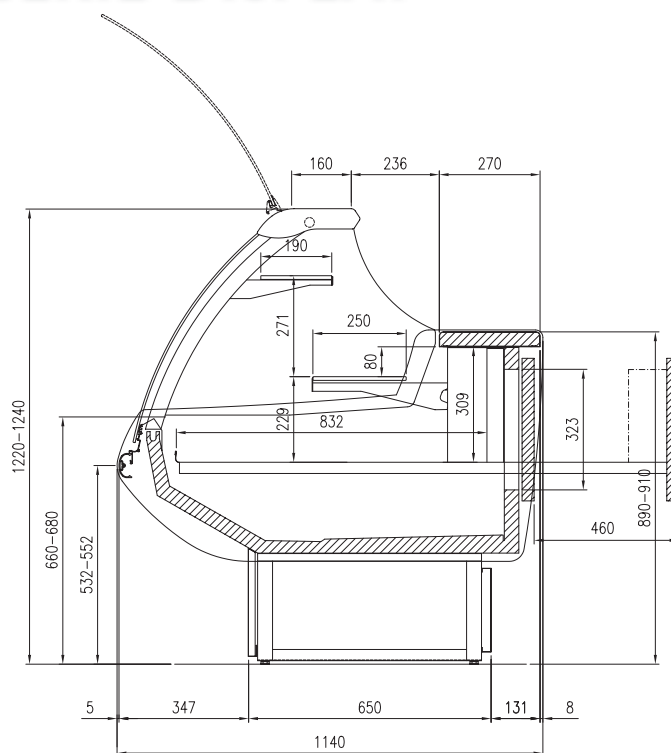
+2°C +4°C



PORTOFINO PATISSERIE DISPLAY

+2°C +4°C

- Optimum conditions for cakes:
75% Humidity
- Two tiers of refrigeration
- Upper ambient shelf
- Base display rolls back for easy access
- Sliding drawers
- Lift up toughened safety glass, heated
- Quiet running
- Fully front mounted: no rear supports
- Adjustable fan speed
- Rear slides
- Castors
- Matching Deli and Hot models available



Section

Model	Portofino PT 120	Portofino PT 200
Operating Temp (°C)	+2 to +4	+2 to +4
Rating (°C / %Humidity)	25 / 60	25 / 60
Weight (kg)	185	250
Overall Length (mm)	1290	1885
Overall Depth (mm)	1155	1155
Overall Height (mm)	1240	1240
Power Requirement (amps)	10	10