



MIXER ELECTRIC

GOLD SERIES - DIRECT DRIVE GEAR TRANSMISSION - 40 QUART

MIXER ELECTRIC 40 QUART



"Anvil's 40 Quart Mixers are designed specifically for heavy duty mixing applications. The grease packed ball bearing and air cooled motor ensure quiet and efficient continuous operation."

APPLICATION

- IDEAL FOR CONVENIENCE STORES, BAKERIES AND SUPERMARKETS
- COMES STANDARD WITH MIXING BOWL, WIRE WHISK, DOUGH HOOK AND SPATULA. THESE ITEMS ARE ALSO AVAILABLE SEPERATELY
- CONSISTANT MIXING SPEEDS ARE MAINTAINED REGARDLESS OF THE VOLUME IN THE BOWL DUE TO THE DIRECT DRIVE TRANSMISSION SYSTEM

CONSTRUCTION

- HEAVY DUTY CONSTRUCTION
- POWERFUL 1.5HP AIR COOLED MOTOR
- 3 FIXED SPEEDS WITH EASY SPEED SHIFTING
- DIRECT DRIVE 100% GEAR DRIVEN TRANSMISSION
- LONG-LIFE GEAR BOX
- #12 HUB FOR A MEAT GRINDING ATTACHMENT OFFERS FLEXIBILITY BETWEEN GRINDING AND MIXING
- GREASE PACKED BALL BEARING
- COMES STANDARD 220V SINGLE PHASE
- MODEL AVAILABLE WITH SAFETY GUARD
- GEARS AND SHAFTS MADE OF HEAT TREATED ALLOY STEEL

Anvil reserves the right, without notice, to make changes and revisions to product specifications, materials and design, which in our opinion, will provide better performance, durability and efficiency.



ALL ANVIL EQUIPMENT COMES WITH A ONE YEAR WARRANTY ON COMPONENTS AND DEFECTIVE WORKMANSHIP



ANVIL

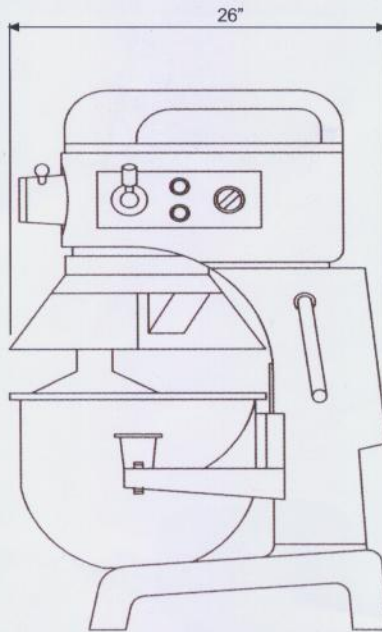
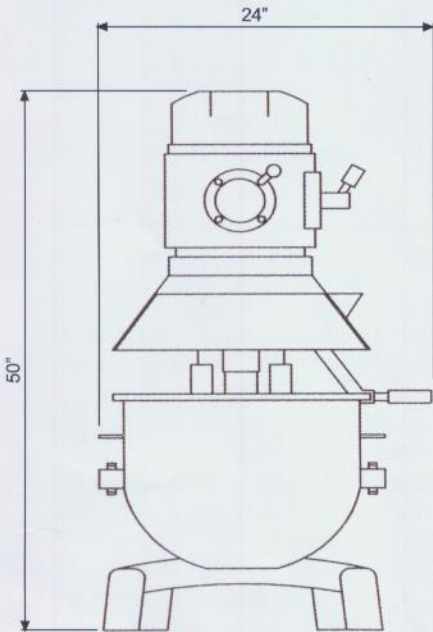


NOTE:

When viewing the appliance from the front in its usual operating position, the width (W) of the product is the total distance from left to right ; the depth (D) of the product is the total distance from front to back ; the height (H) is the total distance from the bottom of the product to the top

MIXER ELECTRIC 40 QUART

MODELS:
MIX8040
MIX8140



MIXING BOWL
XMIX4011



WIRE WHISK
XMIX4012



DOUGH HOOK
XMIX4013



SPATULA
XMIX4014



NEMA 6 - 15P
220V

DESCRIPTION	MIXER 40Q	MIXER 40Q WITH GUARD	ACCESSORIES - CODE	ACCESSORIES - DESCR.
MODELS	MIX8040	MIX8140	XMIX4011	MIXING BOWL
POWER (HP)	1.5	1.5	XMIX4012	WIRE WHISK
VOLTAGE (V)	220V SINGLE PHASE	220V SINGLE PHASE	XMIX4013	DOUGH HOOK
DIMENSIONS (in) (W x D x H)	24 x 26 x 50	24 x 26 x 50	XMIX4014	SPATULA
BOX DIMNS (in) (W x D x H)	28 x 32 x 58	28 x 32 x 58	MIX2016	MEAT GRINDER HEAD NO.12
SHIPPING WEIGHT (lbs)	440	450	MIX2015	GRATER HEAD NO.12
PLANETARY SPEED	90/186/340 rpm	90/186/340 rpm		

Note: Output performance figures quoted are dependant on various factors.

Manufactured by:
Scientific Engineering (Pty) Ltd
South Africa
Website: www.anvilworld.com



MIX_ANVL_USA_04