



FRYER DEEP FAT

DOUBLE PAN - 10Lt - ELECTRIC



FRYER DEEP FAT

"Anvil's deep fat fryers are designed to create a delicious variety of crisp fried food with minimum fuss. Delight your customers with french fries, chicken, fish, seafood, etc."

APPLICATION

- IDEAL FOR USE IN RESTAURANTS, TAKE AWAYS, CANTEENS, ETC.

CONSTRUCTION

- DOUBLE PAN FOR SEPARATION OF FOOD TYPES OR, USE ONE PAN WHEN QUIET AND BOTH WHEN BUSY
- HINGED ELEMENT BOXES WITH 2 STAGE LOCKING MECHANISM
- PILOT LIGHT INDICATES WHEN ELEMENTS ARE ENERGISED
- LIFT-OUT, ONE-PIECE STAINLESS STEEL TANK WITH CARRYING HANDLES FOR EASE OF CLEANING

HEATING

- VARIABLE HEAT CONTROL FROM 60°C - 200°C
- REACHES FRYING TEMPERATURES FAST
- RECOVERS TO OPERATING TEMPERATURE QUICKLY BETWEEN LOADS

ACCESSORIES

- NIGHT COVERS
- TIN-PLATED MILD STEEL WIRE BASKETS

SAFETY FEATURES

- AUTOMATIC CUT-OUT AT 209°C TO PREVENT OIL FIRE
- MICRO SWITCH DISCONNECTS POWER WHEN ELEMENT BOX IS REMOVED

Anvil reserves the right, without notice, to make changes and revisions to product specifications, materials and design, which in our opinion, will provide better performance, durability and efficiency.

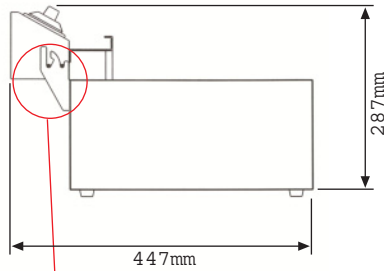
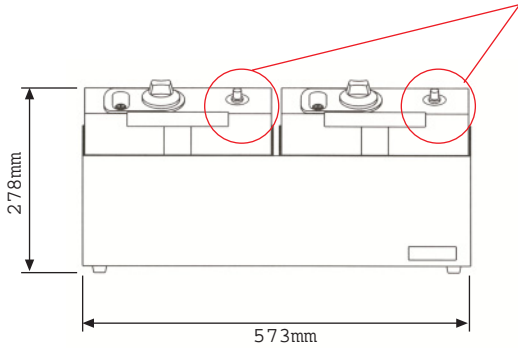


ALL ANVIL EQUIPMENT COMES WITH A ONE YEAR WARRANTY ON COMPONENTS AND DEFECTIVE WORKMANSHIP

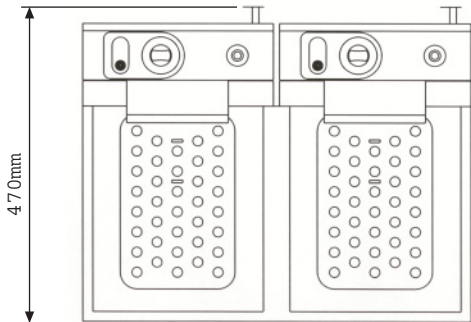


F R Y E R **MODELS:**
D E E P **F A T** FFA2002
 FFA3002
 FFA0002

RESET BUTTON FOR SAFETY CUT OUT
 IF FRYING COMPOUND OVERHEATS



TILT UP ELEMENT HEAD WITH SAFETY LOCK DEVICE



NOTE:

When viewing the appliance from the front in its usual operating position, the width (W) of the product is the total distance from left to right ; the depth (D) of the product is the total distance from front to back ; the height (H) is the total distance from the bottom of the product to the top

DESCRIPTION	FRYER DOUBLE	FRYER DOUBLE	FRYER DOUBLE (NON CE)	ACCESSORIES
MODELS	FFA2002	FFA3002	FFA0002	FFB2250 FRYER BASKET FULL SIZE 210 x 460 x 270
VOL. OF OIL (l)	10	10	10	
VOL. OF OIL (lbs)	20	20	20	
± FRENCH FRIES (kg/hr)	30	30	30	
± FRENCH FRIES (lbs/hr)	66	66	66	
VOLTAGE 230V	2 x 2.5kW	2 x 3kW	2 x 2.5kW	XFFA0008 NIGHT LID 340 x 280 x 60
VOLTAGE 110V	2 x 1.8kW	2 x 1.8kW	2 x 1.8kW	
DIMENSIONS (mm) (W x D x H)	573 x 470 x 278	573 x 470 x 278	573 x 470 x 278	
BOX DIMNS (mm) (W x D x H)	610 x 510 x 370	610 x 510 x 370	610 x 510 x 370	
PACKED WEIGHT (kg)	12	12	12	
COMPLIES WITH SPEC	IEC 60335	IEC 60335	IEC 60335	

Note: Output performance figures quoted are dependant on various factors.

Manufactured by:
 Scientific Engineering (Pty) Ltd
 South Africa
 Website: www.anvilworld.com



FFA_ANVL_02