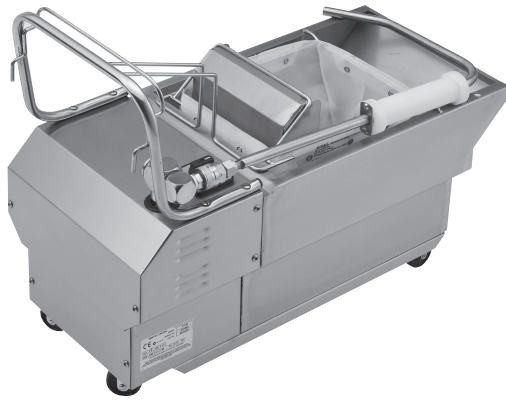


Technical data sheet for
FAST FRI FILTAMAX

FF8130E, FF8135E, FF8140E



- Mobility and space saving features
- Powerful reversible 1/3 HP pump
- Full stainless steel construction
- Reusable filter bag
- Upgrade kit to carbon pad filtering
- Easy clean
- Easy service

Overall Construction

- Full stainless steel construction
- Mounted on two fixed and two swivel castors
- 1/3 HP motor, reversible, heavy duty pump
- Heavy duty motor switch
- Rigid return delivery tube for safe, efficient, return of oil and shortening to fryer tank
- Reusable 'easy clean' filter bags, with upgrade kit to carbon pad filtering available
- Heavy duty stainless steel handle
- Cord storage
- Heavy duty heat resistant handle fitted to oil delivery tube

Controls

- Off/Forward/Reverse pump control

Cleaning and Servicing

- Open stainless steel pan for easy clean
- Easy clean stainless steel exterior

Technical data sheet for FAST FRI FILTAMAX

FF8130E, FF8135E, FF8140E

Specifications

Pump

1/3 HP single phase reversible pump

Electrical requirements

220 - 240 V.a.c., 50/60 Hz, 1 P+N+E, 3.2A

110 - 120 V.a.c., 50/60 Hz, 1 P+N+E, 6.4A

Electrical connection

62mm from RH side, 365mm from rear,
and 440mm from floor
3 pin 10A plug cordset fitted

FILTERING CAPACITY

FF8130E 20 litres

FF8135E 30 litres

FF8140E 32 litres

FRYER COMPATABILITY

FF8130E FN8120G/GE
FN8226G/GE

FF8135E FN8123E/EE
FN8127E/EE
FN8223E

FN8224E/EE

FN3050ECS

FN3052ECS

FF8140E FN8130G/GE
FN8130G HPO

UNDER FRYER STORAGE

FF8130E FN8120G/GE
FN8226G/GE

FF8135E N/A

FF8140E FN8130G/GE
FN8130G HPO

DIMENSIONS

FF8130E

Width 324mm

Depth 683mm

Height 562mm

FF8135E

Width 324mm

Depth 735mm

Height 562mm

FF8140E

Width 474mm

Depth 683mm

Height 562mm

PACKING DATA

FF8130E

0.28m³

52kgs

FF8135E

0.28m³

53kgs

FF8140E

0.28m³

56kgs

OPTIONS AT EXTRA COST

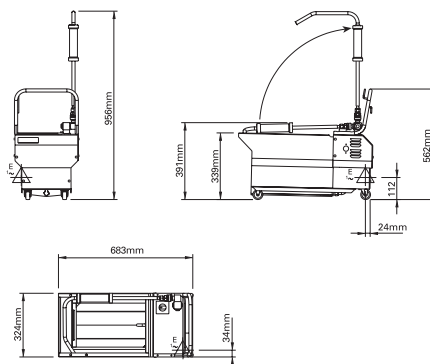
Additional filter bags

Carbon pad upgrade kit (Part No. 025669)

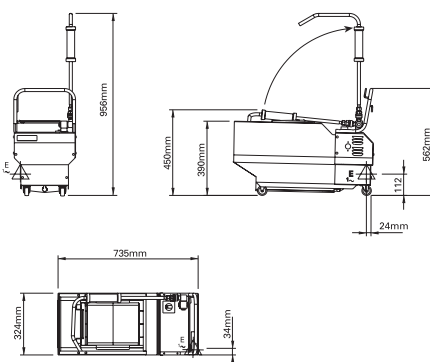
Flexible hose with stay cool handle
(Part No. 020417)

Drain adaptor kit (Part No. 024705) and drain
extension kit (Part No. 024710) available for
using FF8140E for combined 450mm + 600mm
wide Waldorf fryer filtering applications.

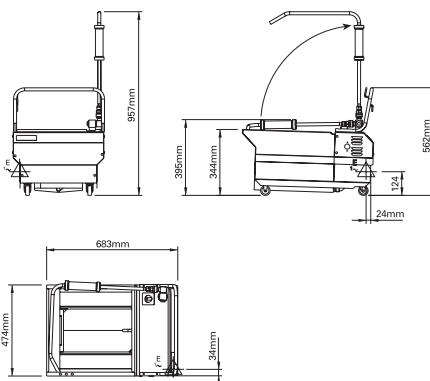
FF8130E



FF8135E



FF8140E



Waldorf
800 SERIES

MOFFAT

Australia
www.moffat.com.au
New Zealand
www.moffat.co.nz

Australia
Moffat Pty Limited

Victoria/Tasmania
740 Springvale Road
Mulgrave, Victoria 3170
Telephone 03-9518 3888
Facsimile 03-9518 3833
vsales@moffat.com.au

New South Wales
Telephone 02-8833 4111
nswsales@moffat.com.au

South Australia
Telephone 03-9518 3888
vsales@moffat.com.au

Queensland
Telephone 07-3630 8600
qldsales@moffat.com.au

Western Australia
Telephone 08-9202 6820
bgarcia@moffat.com.au

New Zealand
Moffat Limited

Christchurch
Telephone 03-389 1007
sales@moffat.co.nz

Auckland
Telephone 09-574 3150
sales@moffat.co.nz

ISO9001
Quality
Management
Standard

Designed and manufactured by

MOFFAT

ISO9001
All Waldorf products are designed and
manufactured by Moffat using the
internationally recognised ISO9001 quality
management system, covering design,
manufacture and final inspection, ensuring
consistent high quality at all times.

In line with policy to continually develop
and improve its products, Moffat Limited
reserves the right to change specifications
and design without notice.

Printed in China
© Copyright Moffat Limited
Moffat/4854/BH/1M/12.06

