

Turbofan E85-8 and E85-12 Provers

-  Full view door
-  Variable heat control
-  Variable humidity control
-  Stainless steel outer
-  Stainless steel inner
-  Low velocity fan
-  Castors as standard
-  110V plug in connection
-  Door removes for cleaning
-  Optional auto fill



E85-8



E85-12



Turbofan E85-8 and E85-12

Provers

CONSTRUCTION

8 pan capacity (E85-8)
12 pan capacity (E85-12)
Stainless steel front and sides
Removable full view door
Strong and stylish handle
Stainless steel racking system
Fully insulated
Enamel control panel

CONTROLS

On/off switch
Mechanical thermostat
Variable heat 24°C to 40°C
Variable humidity

CLEANING AND SERVICING

Easy clean surfaces
Removable racking system
Removable water tank

OPTIONS

Auto water fill kit

SPECIFICATIONS

Electrical Requirements
220-240V, 50Hz, 1.65kW, 1P+N+E, 7.2A

Water (autofill option)
19mm (³/₄" BSP thread
80psi max inlet pressure
20psi min inlet pressure

E85-8

External Dimensions

Width 880mm
Height 902mm
Depth 880mm

Internal Dimensions

Width 460mm
Height 700mm
Depth 660mm

Nett Weight

93kg (205lbs)

Packing Data

154kg (340lbs)
1.06m³ (37.4ft³)
Width 970mm
Height 1090mm
Depth 1001mm

E85-12

External Dimensions

Width 880mm
Height 1145mm
Depth 880mm

Internal Dimensions

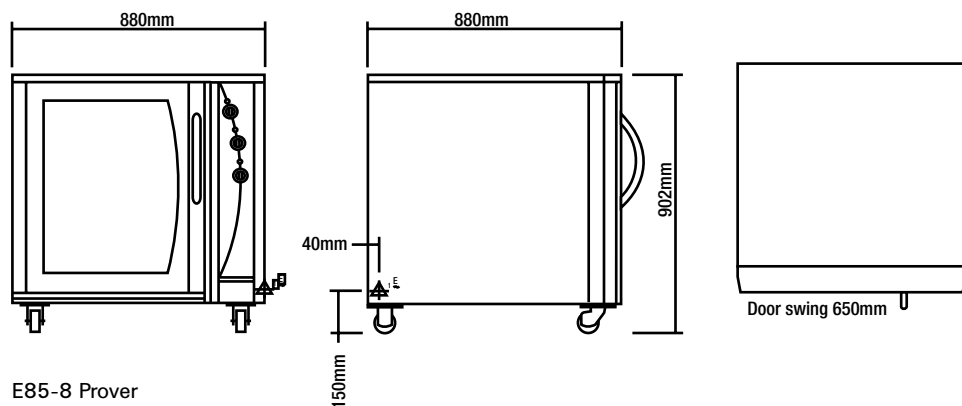
Width 460mm
Height 945mm
Depth 660mm

Nett Weight

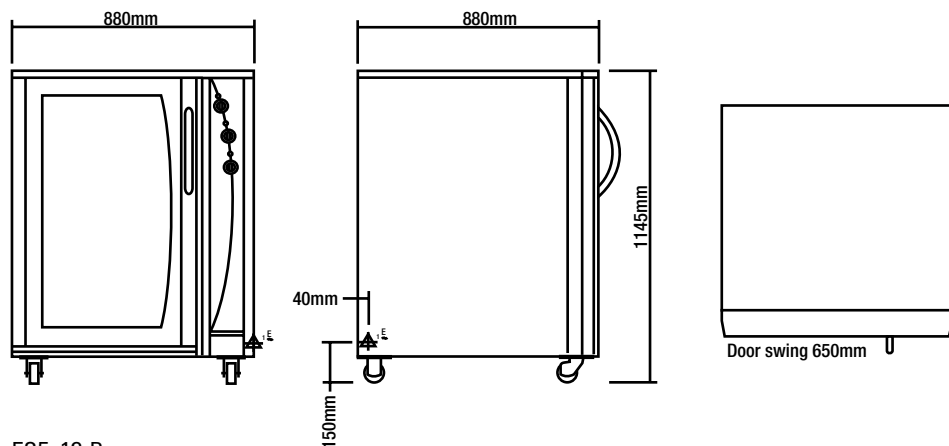
120kg (265lbs)

Packing Data

181kg (399lbs)
1.26m³ (44.5ft³)
Width 970mm
Height 1300mm
Depth 1001mm



E85-8 Prover



E85-12 Prover

MOFFAT

www.moffat.com.au

Australia
Moffat Pty Limited

Victoria/Tasmania
740 Springvale Road
Mulgrave, Victoria 3170
Telephone 03-9518 3888
Facsimile 03-9518 3833
Email vsales@moffat.com.au
www.moffat.com.au

New South Wales
Telephone 02-8833 4111
Email nswsales@moffat.com.au

South Australia
Telephone 08-8274 2116
Email dmiller@moffat.com.au

Queensland
Telephone 07-3630 8600
Email qldsales@moffat.com.au

Western Australia
Telephone 08-9305 8855
Email jberent@moffat.com.au

New Zealand
Moffat Limited

Christchurch
Telephone 03-389 1007
Email sales@moffat.co.nz
www.moffat.co.nz

Auckland
Telephone 09-574 3150
Email sales@moffat.co.nz



ISO 9001
All Turbofan products are designed and manufactured by Moffat Ltd using the internationally recognised ISO 9001 quality management system, covering design, manufacture and final inspection, ensuring consistent high quality at all times.