




Turbofan E26

Electric Convection Oven

-  Two tray capacity (wire racks included)
-  60 minute timer
-  Stainless steel exterior
-  Insulated easy clean vitreous interior
-  Toughened twin pane glass door
-  Internal lighting
-  Mechanical thermostat,
variable between 50°C and 250°C
-  Drop down door
-  240V 10 Amp plug in



Turbofan E26



Turbofan E26

Electric Convection Oven

MOFFAT

www.moffat.com.au

CONSTRUCTION

Stainless steel top and sides
 Enamel oven interior
 Toughened twin pane glass door
 Strong and stylish door handle
 2 tray capacity (wire racks included)
 Fully insulated
 Enamel control panel
 Fully enclosed motor at rear
 Drop down door

CONTROLS

On/off switch
 Mechanical thermostat, variable
 between 50°C and 250°C
 Low velocity fan system
 Oven light
 60 minute timer

CLEANING AND SERVICING

Fully removable racks and fan baffle
 Easy clean stainless steel and enamel surfaces
 Access to all controls from front panel
 Removable door seals

SPECIFICATIONS

Electrical requirements

220V, 50Hz, 1P+ N + E, 2.4kW, 11 amp
 230-240V, 50Hz, 1P+N+E, 2.4kW, 10amp

External Dimensions

Width 885mm
 Height 430mm
 Depth 668mm

Internal Dimensions

Width 635mm
 Height 270mm
 Depth 465mm
 Oven Volume 0.08m³

Oven Rack Dimensions

Width 600mm
 Depth 400mm

Nett Weight

51kg

Packing Data

61kg
 0.40m³
 Width 925mm
 Height 560mm
 Depth 780mm

Australia

Moffat Pty Limited

Victoria/Tasmania

740 Springvale Road
 Mulgrave, Victoria 3170
 Telephone 03-9518 3888
 Facsimile 03-9518 3833
 Email vsales@moffat.com.au
 www.moffat.com.au

New South Wales

Telephone 02-8833 4111
 Email nswsales@moffat.com.au

South Australia

Telephone 08-8274 2116
 Email dmiller@moffat.com.au

Queensland

Telephone 07-3630 8600
 Email qldsals@moffat.com.au

Western Australia

Telephone 08-9562 0263
 Email jberent@moffat.com.au

New Zealand

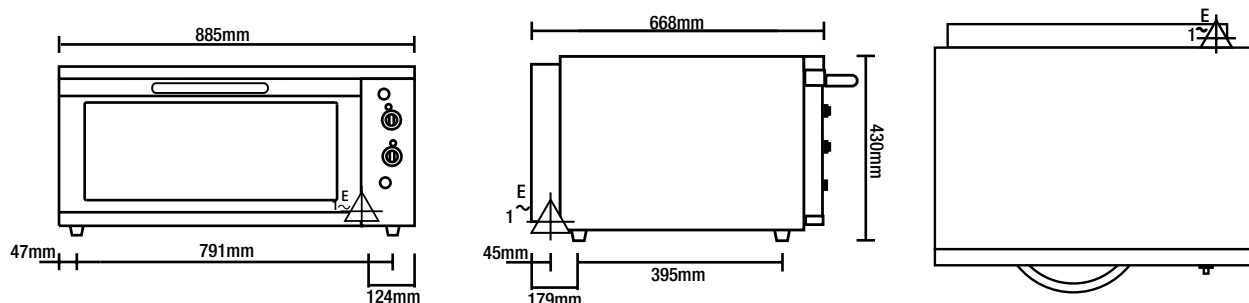
Moffat Limited

Christchurch

Telephone 03-389 1007
 Email sales@moffat.co.nz
 www.moffat.co.nz

Auckland

Telephone 09-574 3150
 Email sales@moffat.co.nz



Turbofan E26



ISO 9001

All Turbofan products are designed and manufactured by Moffat Ltd using the internationally recognised ISO 9001 quality management system, covering design, manufacture and final inspection, ensuring consistent high quality at all times.

