


# Turbofan E25

## Electric Convection Oven

-  Two tray capacity (wire racks included)
-  60 minute timer
-  Stainless steel exterior
-  Insulated easy clean vitreous interior
-  Toughened twin pane glass door
-  Internal lighting
-  Mechanical thermostat,  
variable between 50°C and 250°C
-  Drop down door
-  240V 10 Amp plug in



Turbofan E25



# Turbofan E25

## Electric Convection Oven

**MOFFAT**

www.moffat.com.au

### CONSTRUCTION

Stainless steel top and sides  
 Enamel oven interior  
 Toughened twin pane glass door  
 Strong and stylish door handle  
 2 tray capacity (wire racks included)  
 Fully insulated  
 Enamel control panel  
 Fully enclosed motor at rear  
 Drop down door

### CONTROLS

On/off switch  
 Mechanical thermostat, variable  
 between 50°C and 250°C  
 Low velocity fan system  
 Oven light  
 60 minute timer

### CLEANING AND SERVICING

Fully removable racks and fan baffle  
 Easy clean stainless steel and enamel surfaces  
 Access to all controls from front panel  
 Removable door seals

### SPECIFICATIONS

#### Electrical requirements

220-240V, 50Hz, 1P+N+E, 2.05kW, 8.5amp  
 220-240V, 60Hz, 1P+N+E, 2.05kW, 8.5amp

#### External Dimensions

Width 720mm  
 Height 430mm  
 Depth 600mm

#### Internal Dimensions

Width 470mm  
 Height 270mm  
 Depth 385mm  
 Oven Volume 0.05m<sup>3</sup>

#### Oven Rack Dimensions

Width 460mm  
 Depth 330mm

#### Nett Weight

39kg

#### Packing Data

54kg  
 0.32m<sup>3</sup>  
 Width 750mm  
 Height 585mm  
 Depth 730mm

#### Australia

Moffat Pty Limited

#### Victoria/Tasmania

740 Springvale Road  
 Mulgrave, Victoria 3170  
 Telephone 03-9518 3888  
 Facsimile 03-9518 3833  
 Email vsales@moffat.com.au  
 www.moffat.com.au

#### New South Wales

Telephone 02-8833 4111  
 Email nswsales@moffat.com.au

#### South Australia

Telephone 08-8274 2116  
 Email dmiller@moffat.com.au

#### Queensland

Telephone 07-3630 8600  
 Email qldsales@moffat.com.au

#### Western Australia

Telephone 08-9562 0263  
 Email jberent@moffat.com.au

#### New Zealand

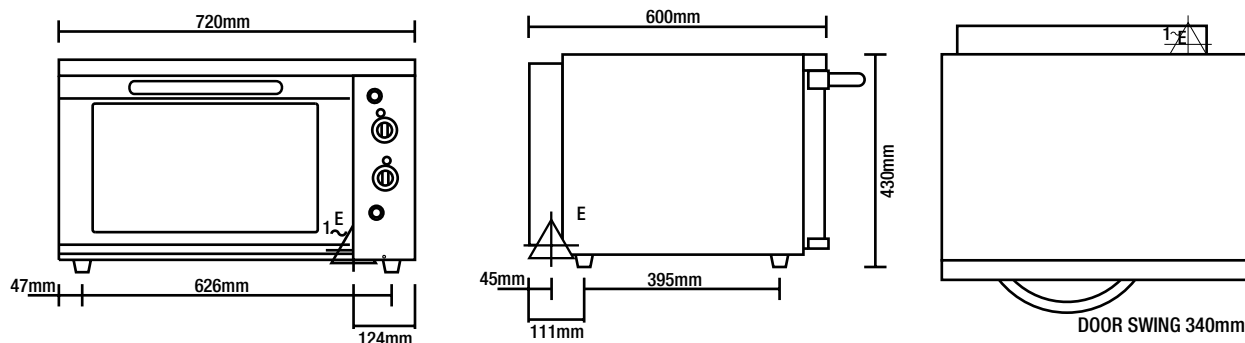
Moffat Limited

#### Christchurch

Telephone 03-389 1007  
 Email sales@moffat.co.nz  
 www.moffat.co.nz

#### Auckland

Telephone 09-574 3150  
 Email sales@moffat.co.nz



Turbofan E25



#### ISO 9001

All Turbofan products are designed and manufactured by Moffat Ltd using the internationally recognised ISO 9001 quality management system, covering design, manufacture and final inspection, ensuring consistent high quality at all times.

