

## TECHNICAL DATA SHEET FOR Gas Fryer 400mm CF4



CF4

- 400mm wide
- Stainless steel finish
- Patented infrared burner system
- Stainless steel open pan
- 25mm drain valve
- 21 litre oil capacity
- Mechanical thermostat
- Manual pilot ignition
- Baskets and lid included
- Adjustable front feet and rear rollers

---

### Overall Construction

Stainless steel open tank with deep cool zone  
Stainless steel exterior front and sides  
Double skin door with stainless steel outer  
Dual high performance infra-red burner system  
50mm dia. stainless steel adjustable legs to front and two rollers at rear  
Two baskets and stainless steel lid supplied standard

### Controls

110-190°C mechanical thermostat  
Over-temperature safety cut-out  
Manual ignition pilot burners with flame failure

### Cleaning and Servicing

Open stainless steel pan for easy clean  
Easy clean stainless steel exterior  
25mm (1") drain valve for effective draining  
Lift off basket hanger  
Access to all parts from front of unit

## TECHNICAL DATA SHEET FOR Gas Fryer 400mm CF4

### Burners

2 x 42.5MJ/hr, 11kW infra-red burners

### Gas power

85MJ/hr, 22kW

### Pan size

Oil capacity 21L (37lbs shortening)

Width 315mm

Length 380mm

Oil frying depth 95mm

### Gas connection

R<sup>3</sup>/<sub>4</sub> (BSP) male

200mm from RH side, 32mm from rear, and 124mm from floor

*All units supplied with Natural and LP gas regulator*

### Dimensions

Width 400mm

Depth 800mm

Height 915mm

Incl. splashback 1085mm

### Packing data

0.53m<sup>3</sup>

Width 865mm

Depth 490mm

Height 1255mm

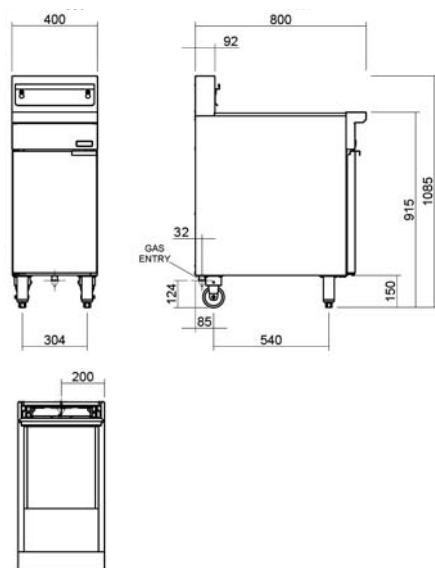
66kg nett weight

106kg packed weight

### Gas types

Available in Natural gas and LP gas, please specify when ordering

*Other gas types on request*



CF4

**MOFFAT®**

[www.moffat.com.au](http://www.moffat.com.au)

Australia  
Moffat Pty Limited

Victoria/Tasmania  
740 Springvale Road  
Mulgrave, Victoria 3170  
Ph 03-9518 3888  
Fax 03-9518 3833  
[vsales@moffat.com.au](mailto:vsales@moffat.com.au)  
[www.moffat.com.au](http://www.moffat.com.au)

New South Wales  
Ph 02-8833 4111  
[nswsales@moffat.com.au](mailto:nswsales@moffat.com.au)

South Australia  
Ph 03-9518 3888  
[vsales@moffat.com.au](mailto:vsales@moffat.com.au)

Queensland  
Ph 07-3630 8600  
[qldsales@moffat.com.au](mailto:qldsales@moffat.com.au)

Western Australia  
Ph 08-9202 6820  
[bgarcia@moffat.com.au](mailto:bgarcia@moffat.com.au)

New Zealand  
Moffat Limited

Christchurch  
16 Osborne Street  
Christchurch 8011  
Ph +64 3-389 1007  
Fax +64 3-389 1276

Auckland  
Ph +64 9-574 3150

[export@moffat.co.nz](mailto:export@moffat.co.nz)  
[www.moffat.co.nz](http://www.moffat.co.nz)



Designed and manufactured by



ISO9001  
All Cobra products are designed and manufactured by Moffat using the internationally recognised ISO9001 quality management system, covering design, manufacture and final inspection, ensuring consistent high quality at all times.



Australian  
Gas Association  
Approved

In line with policy to continually develop and improve its products, Moffat Limited reserves the right to change specifications and design without notice.