



International Catering Equipment Pty Ltd



SHOWCASE CURVED GLASS

<i>Model</i>	<i>Unit Size</i>	<i>Capacity</i>	<i>Watts</i>
DSC0730	900 x 680 x 1200	225L	580
DSC0740	1200 x 680 x 1200	310L	705
DSC0750	1500 x 680 x 1200	395L	855
DSC0760	1800 x 680 x 1200	480L	925



SHOWCASE STRAIGHT GLASS

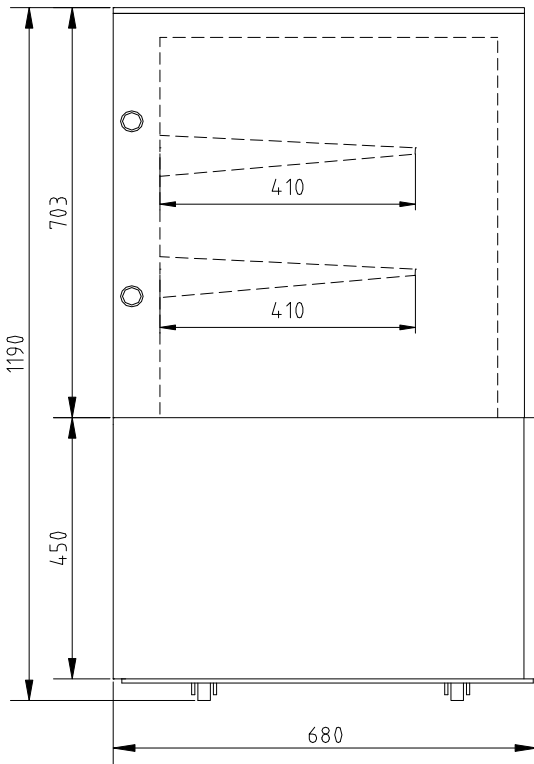
<i>Model</i>	<i>Unit Size</i>	<i>Capacity</i>	<i>Watts</i>
DSV0730	900 X 680 X 1190	285L	580
DSV0740	1200 X 680 X 1190	390L	705
DSV0750	1500 X 680 X 1190	500L	855
DSV0760	1800 X 680 X 1190	610L	925



COUNTERTOP SHOWCASE

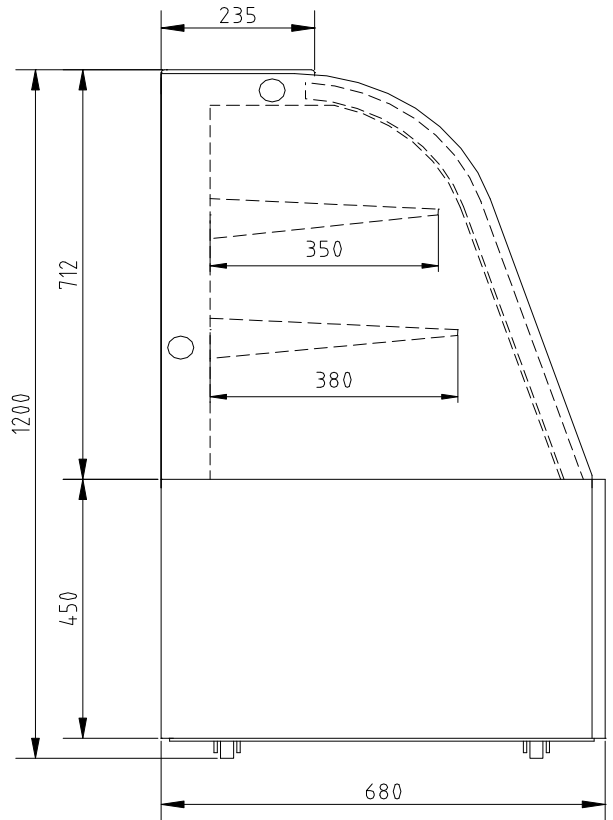
<i>Model</i>	<i>Unit Size</i>	<i>Capacity</i>	<i>Watts</i>
DSM0430	0900 x 465 x 640	70L	385
DSM0440	1200 x 465 x 640	94L	530
DSM0450	1500 x 465 x 640	118L	540

- Electronic temperature control and display
- Internal Illumination to each shelf and front external panel
- Stainless Steel 1.2mm thick on bases
- Tempered Glass with heating wire
- Low Noise
- Adjustable Shelves
- Temperature difference among the shelves only 1 degree
- Ambient temperature at 32°C, R.H 82%
- 2°C ~ 8°C



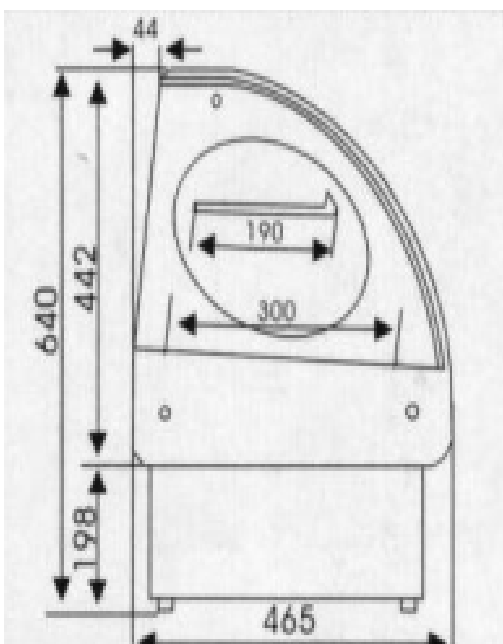
Vertical

DSV0730	900mm
DSV0740	1200mm
DSV0750	1500mm
DSV0760	1800mm



Curved

DSC0730	900mm
DSC0740	1200mm
DSC0750	1500mm
DSC0760	1800mm



Counter Top

DSM0430	900mm
DSM0440	1200mm
DSM0450	1500mm