



GLQ DISPLAY CABINETS



Test at 32 C ambient for Australian conditions

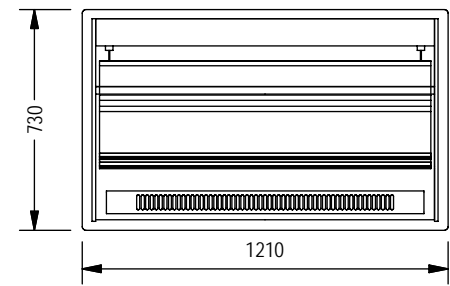
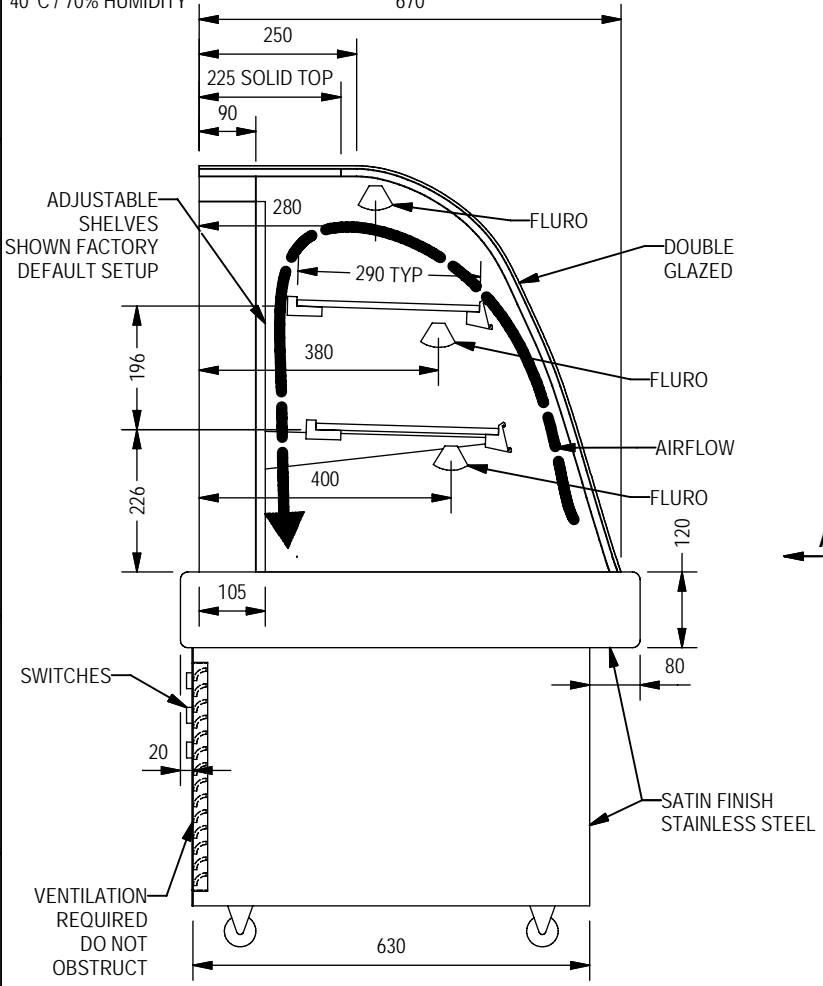
- Stainless steel finish
- Forced convection refrigeration
- Digital temperature control
- Two glass shelves
- Temp +5 C to +12 C
- Forced air circulation defrost system
- All units depth 730 x height 1210mm
- 10 Amps GPO

Ambient and heated units P.O.A.

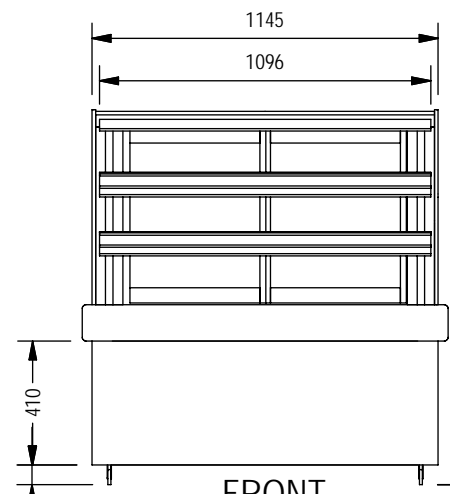
| MODEL | TYPE | DIMENSIONS (w x d x h) |
|---------|--------------|------------------------|
| GLQ1200 | Refrigerated | 1210 x 730 x 1210mm |
| GLQ1500 | Refrigerated | 1505 x 730 x 1210mm |
| GLQ1800 | Refrigerated | 1810 x 730 x 1210mm |

Unit 6, No 6 Tennyson St, Clyde NSW 2142 Sydney Australia
Ph (02) 9637 3737 Fax (02) 9637 3434 www.he2020.com.au

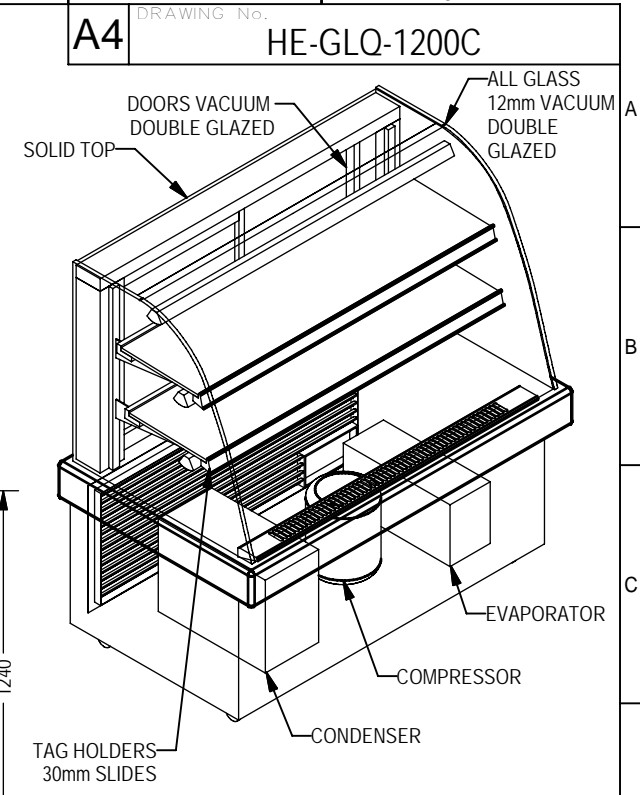
NOTES
 1. ALL DIMENSIONS IN MILLIMETRES
 2. MAX OPERATING CONDITION AMBIENT TEMP
 40°C / 70% HUMIDITY



TOP



FRONT



A4 DRAWING No. HE-GLQ-1200C

| MODEL | TYPE | DIMENSIONS |
|-----------|--------------|---------------------|
| GLQ-890C | REFRIGERATED | 890 x 730 x 1210mm |
| GLQ-1200C | REFRIGERATED | 1210 x 730 x 1210mm |
| GLQ-1500C | REFRIGERATED | 1505 x 730 x 1210mm |
| GLQ-1800C | REFRIGERATED | 1810 x 730 x 1210mm |

| | | | | |
|-----|----------------|-----|------|----------|
| 6 | | | | |
| 5 | | | | |
| 4 | | | | |
| 3 | | | | |
| 2 | | | | |
| 1 | DETAILS ADDED | MDS | AH | 28/8/06 |
| 0 | ORIGINAL ISSUE | MDS | AH | 25/08/06 |
| No. | REVISION | BY | CHKD | DATE |

© COPYRIGHT. ALL RIGHTS RESERVED
 THIS DRAWING IS STRICTLY CONFIDENTIAL AND MUST NOT BE COPIED, REPRODUCED OR ADAPTED, NOR MAY ARTICLES BE MANUFACTURED IN ACCORDANCE WITH THE DRAWING WITHOUT PRIOR WRITTEN PERMISSION OF THE COPYRIGHT OWNERS - HOSPITALITY EQUIPMENT 2020
 THIS IS A CAD DRAWING AND SHOULD NOT BE REVISED MANUALLY
 CAD FILE NAME:
 \\Desktop\mds\Clients\HE2020\GLQ-1200C\H

| | |
|--|------------|
| DIMENSIONS IN MILLIMETRES DO NOT SCALE | |
| DRAWN | DATE |
| MDS | 23/08/2006 |
| CHECKED | DATE |
| APPROVED | DATE |
| SCALE | |
| E-GLQ-1200C.idw | |

PROJECT
GLQ DISPLAYS
 DESCRIPTION
GLQ-1200C

HOSPITALITY EQUIPMENT 2020
 UNIT 6. NO.6 TENNYSON ST. CLYDE. NSW. 2142
 SYDNEY . AUSTRALIA.
 Ph.[02]96373737 Fax.[02]96373434.
 SIZE A4 DRAWING No. HE-GLQ-1200C REV 1