

## BAKERY DISPLAY RANGE



GREEN

*Line*

GRT DISPLAY CABINETS



### Test at 32 C ambient for Australian conditions

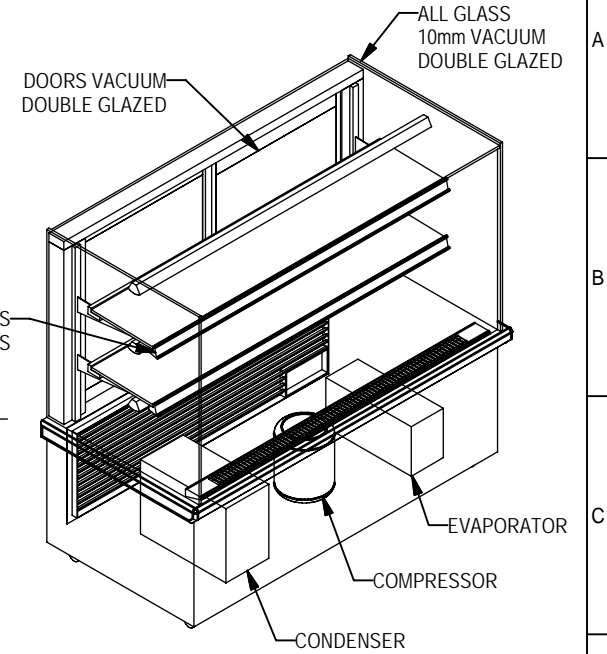
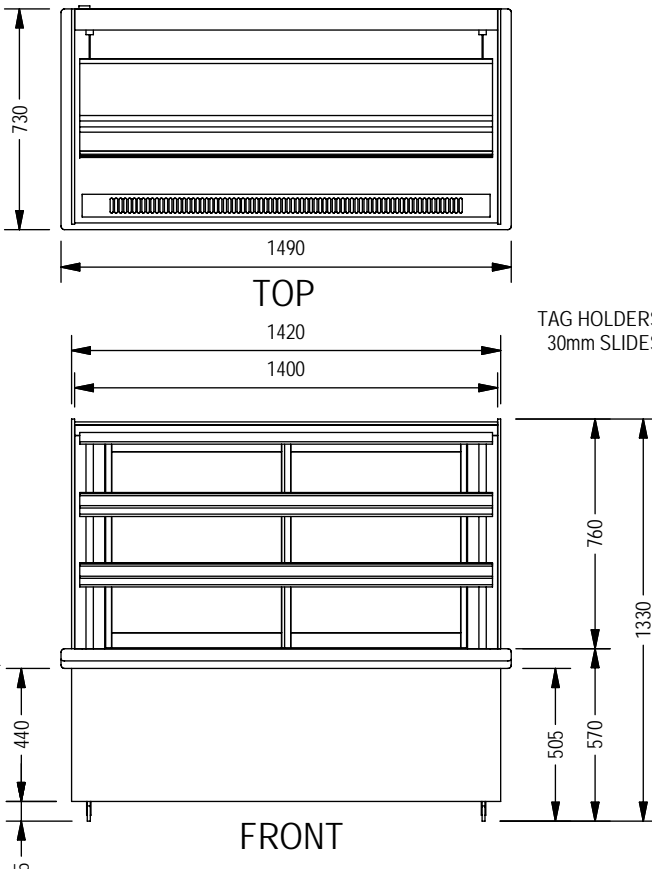
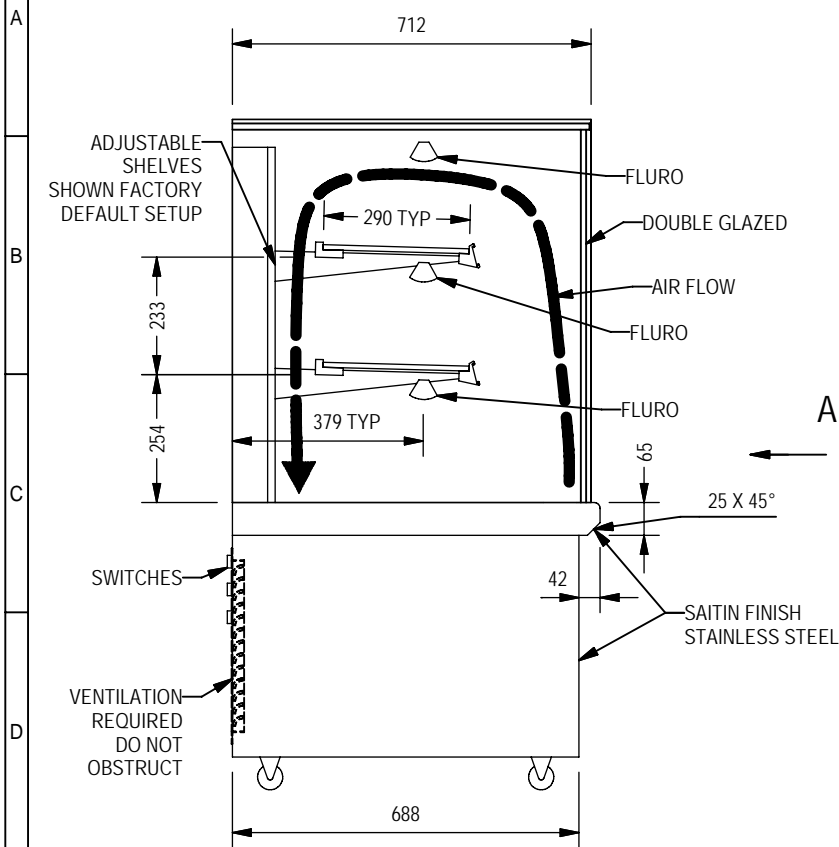
- Stainless steel finish
- Forced convection refrigeration
- Digital temperature control
- Two glass shelves
- Temp +5 C to +8 C
- Forced air circulation defrost system
- All units depth 730 x height 1360mm
- 10 Amps GPO

Ambient and heated units P.O.A.

MODEL	TYPE	DIMENSIONS (w x d x h)
GRT 1200	Refrigerated	1200 x 730 x 1360mm
GRT 1500	Refrigerated	1500 x 730 x 1360mm
GRT 1800	Refrigerated	1800 x 730 x 1360mm
GRT2400	Refrigerated	2400 x 730 x 1360mm

- NOTES  
 1. ALL DIMENSIONS IN MILLIMETRES  
 2. MAX OPERATING CONDITION AMBIENT TEMP 40°C / 70% HUMIDITY

A4 DRAWING No. GRT-1500



MODEL	TYPE	DIMENSIONS
GRT-900	REFRIGERATED	900 x 730 x 1360mm
GRT-1200	REFRIGERATED	1200 x 730 x 1360mm
GRT-1500	REFRIGERATED	1500 x 730 x 1360mm
GRT-1800	REFRIGERATED	1800 x 730 x 1360mm
GRT-2400	REFRIGERATED	2400 x 730 x 1360mm

6				
5				
4				
3				
2				
1				
0	ORIGINAL ISSUE	MDS	AH	28/8/06
No.	REVISION	BY	CHKD	DATE

© COPYRIGHT. ALL RIGHTS RESERVED  
 THIS DRAWING IS STRICTLY CONFIDENTIAL AND MUST NOT BE COPIED, REPRODUCED OR ADAPTED, NOR MAY ARTICLES BE MANUFACTURED IN ACCORDANCE WITH THE DRAWING WITHOUT PRIOR WRITTEN PERMISSION OF THE COPYRIGHT OWNERS - HOSPITALITY EQUIPMENT 2020

THIS IS A CAD DRAWING AND SHOULD NOT BE REVISED MANUALLY

CAD FILE NAME:  
 \\Desktop\mids\Clients\HE2020\GRT-1500\GRT-1500.idw

DIMENSIONS IN MILLIMETRES DO NOT SCALE		PROJECT	
DRAWN	DATE	DESCRIPTION	
MDS	25/08/2006		
CHECKED	DATE		
APPROVED	DATE		
SCALE			

**HOSPITALITY EQUIPMENT 2020**  
 UNIT 6. NO.6 TENNYSON ST. CLYDE. NSW. 2142  
 SYDNEY . AUSTRALIA.  
 Ph.[02]96373737 Fax.[02]96373434.

SIZE: **A4** DRAWING No. **GRT-1500** REV